



SONORA™

MODEL # 2004 WATERLESS NO-FLUSH URINAL

DESCRIPTION

Waterless Co. Inc. No-Flush™ urinal Model #2004 Sonora™, wall hung, made of High Performance Composite material (HPC) **for commercial and residential use.** Urinal to have elongated rim, a full 2" interior drain and 2" flanged waste outlet; suitable for direct connection to a 2" waste at the wall. Supplied EcoTrap® insert required. Trap insert to be of a vertical flow type with 360 degree perimeter openings and installed by press fit. Trap must be replaceable and refillable. Trap inserts are to be removed with a two pronged heavy duty stainless steel tool. Urinal to be fastened at the bottom front using standard bolts from brass urinal flange. The bottom of the urinal is to be fully enclosed.

DIMENSIONS (WxHxD)

18.0 x 28.0 x 14.0 inches (457 x 711 x 356 mm)

APPROX. WEIGHT

22 lbs (10 kg)

**EcoTrap®
Inside!**



APPLICATION

- Commercial and Residential Use

FURNISHED WITH

- Two unit integrated wall hangers
- AllFlange™ slots for flange bolts
- Fastening hardware
- Gasket
- **Two EcoTraps®**, vertical trap design

NOTE:

- Adequate BlueSeal® trap liquid to be provided for EcoTrap® of urinal, not furnished.
- Item #5001 Brass Flange to be purchased separately, if needed, for new construction.

COLORS

Standard white; other colors available

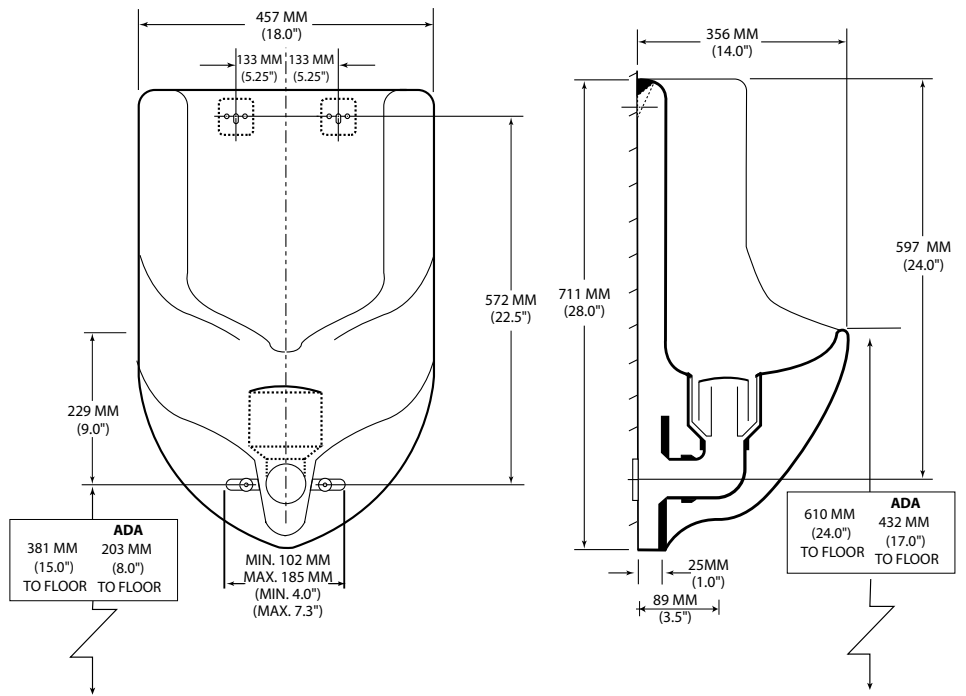
WARRANTY

3 Year Limited Warranty.



WATERLESS CO. INC. 800.244.6364

In keeping with our policy of product improvement, Waterless Co. reserves the right to change product specifications at any time without notice. It is the responsibility of the specifier, installer and wholesale seller to confirm specification at time of sale or installation. No responsibility is assumed, claimed or accepted by Waterless Co. Inc.



CODES/STANDARDS APPLICABLE: Complies w/ A117, ASME A112.19.19, Z124.9 others.

FOR STANDARD INSTALLATION: mount at 24" above finished floor to lip of urinal or as required by architect. Center drain line to be at 15.0" off finished floor.

FOR ADA REQUIREMENTS: mount at 17" above finished floor to lip of urinal. ADA center drain line to be at 8.0" off finished floor.

Supply suitable wall support, i.e. carrier. Install and maintain as per manufacturer's instructions. Urinal 2" drain outlet installs and drains to 2" flanged waste. Retrofit or new construction. Urinal is predrilled to accept most 2" brass flanges from other manufacturer's urinals in a retrofit scenario. For new construction, specify #5001 brass urinal flange for 2" waste. Use standard sanitation practices to maintain fixture.

NOTE ON INSTALLATION:

For startup of urinal, purchase 1 x 6009 iPack. Good for up to 5 urinals. (Includes: 1 x 1114 BlueSeal®, 1 x 4002 PortionAid and 1 x 4001 Xtraptor Tool)

